

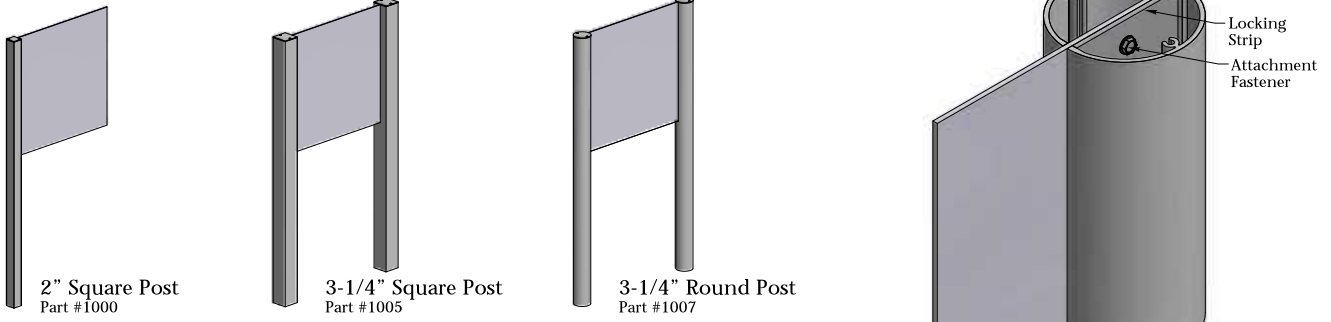


Note: All dimensions are subject to the tolerance standards of the aluminum extrusion industry. Profile drawings are illustrative and rounded to the nearest 1/16".

Architectural System Assemblies

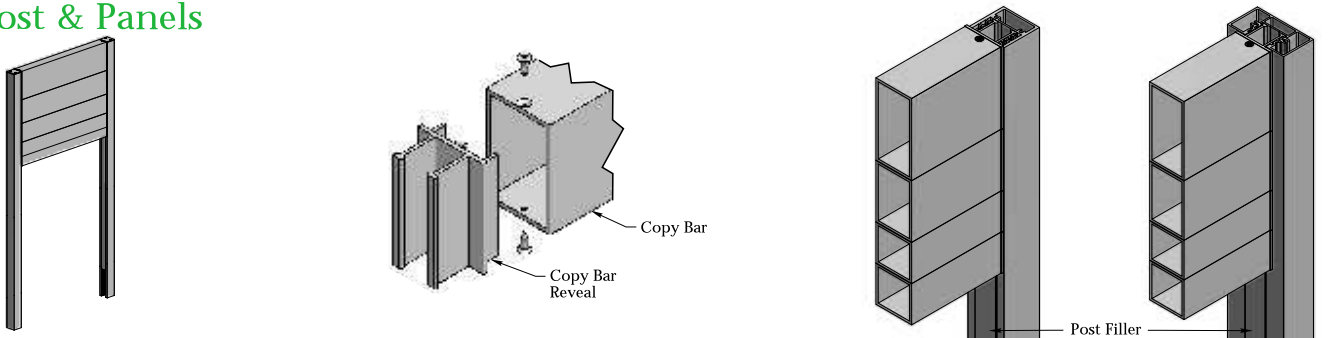
Series 1 Post & Panels

See pages 47 & 61 for additional information.



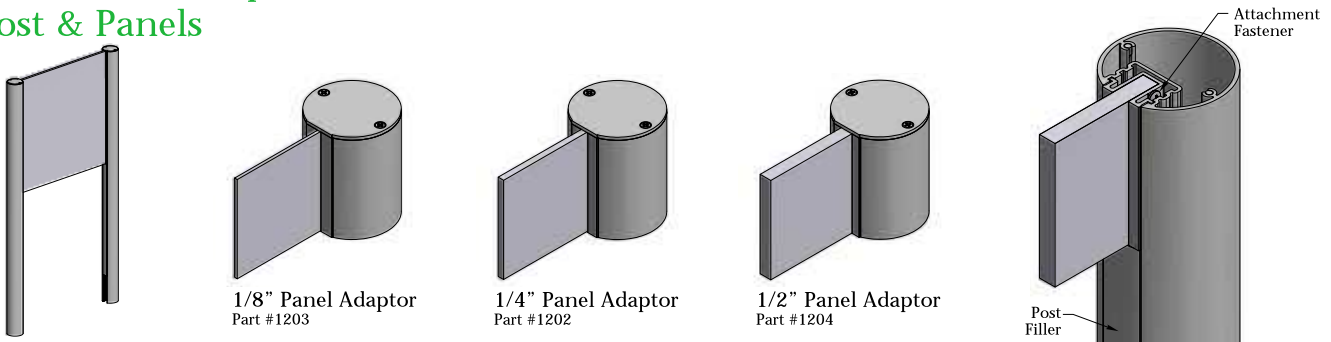
Series Copy Bar Post & Panels

See pages 47 & 61 for post options, reveal positions and additional information.



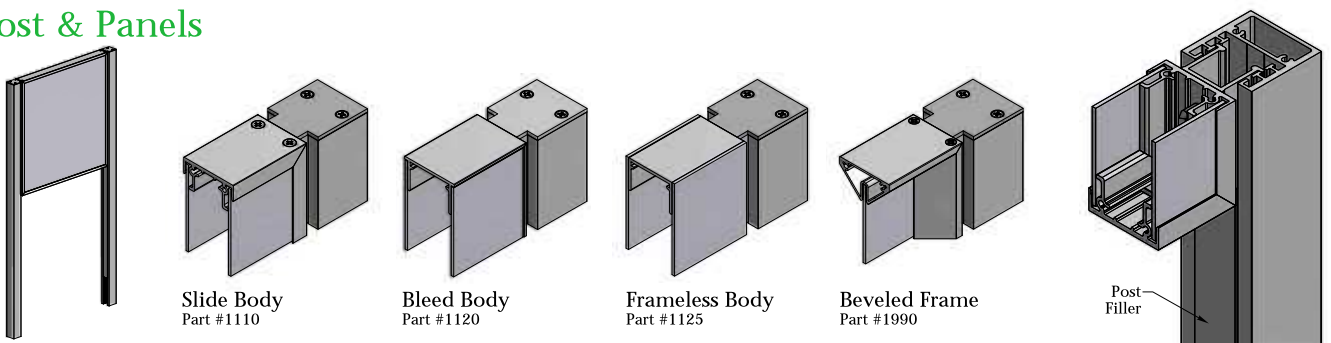
Series Panel Adaptor Post & Panels

See pages 48 & 61 for post options and additional information.



Series 2 Post & Panels

See pages 48 & 62 for post options, reveal positions and additional information.



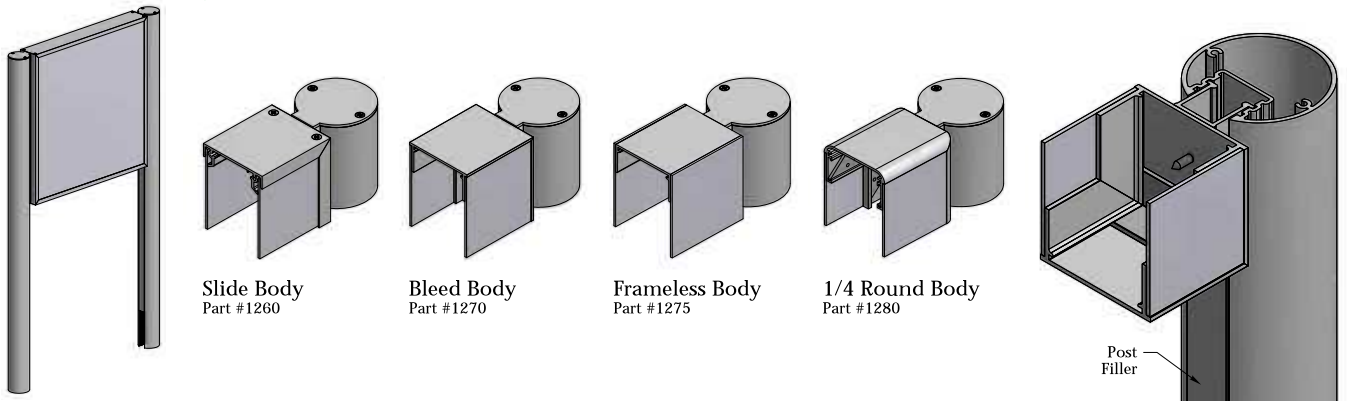


Note: All dimensions are subject to the tolerance standards of the aluminum extrusion industry. Profile drawings are illustrative and rounded to the nearest 1/16".

Architectural System Assemblies

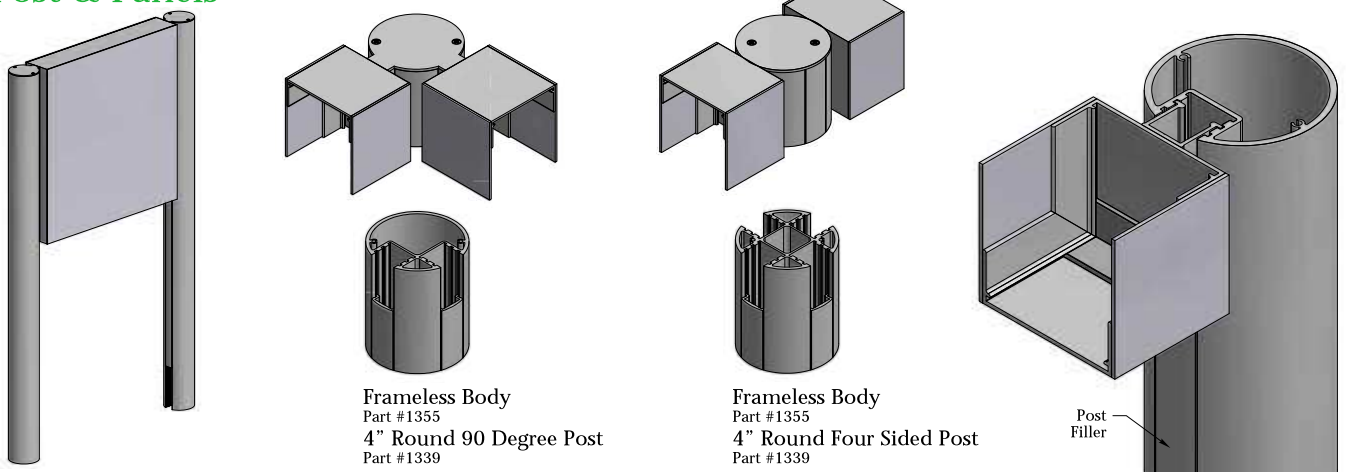
Series 3 Post & Panels

See pages 48 & 62 for post options, reveal positions and additional information.



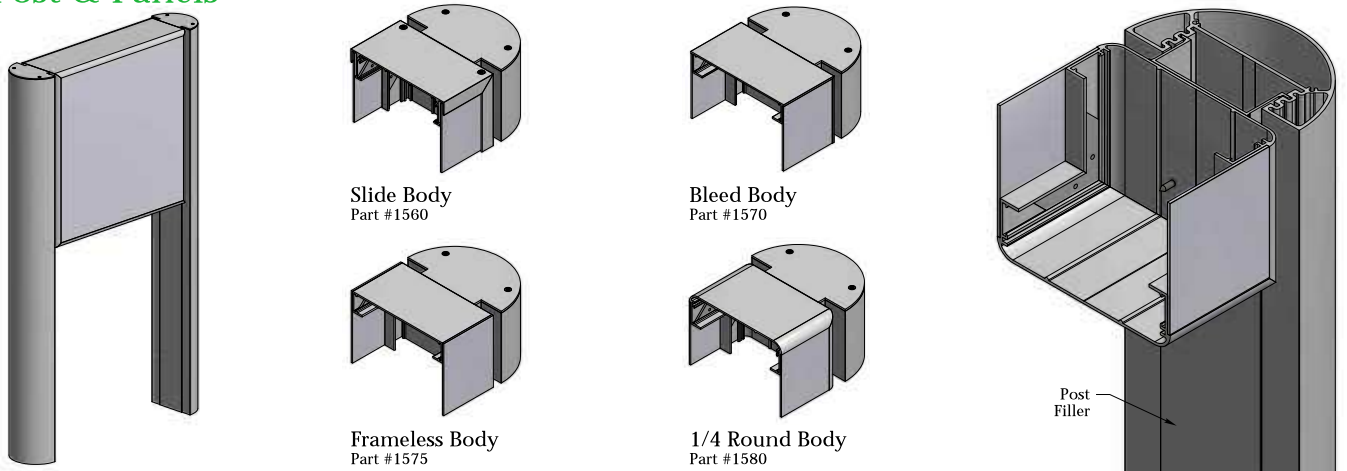
Series 4 Post & Panels

See pages 49 & 62 for post options, reveal positions and additional information.



Series 7 Post & Panels

See pages 49 & 62 for post options, reveal positions and additional information.



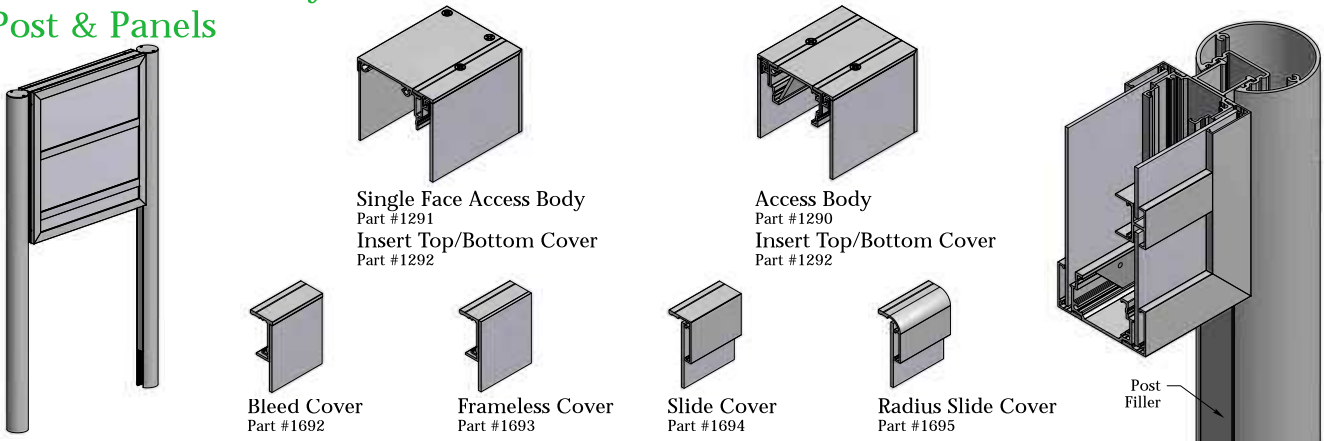


Note: All dimensions are subject to the tolerance standards of the aluminum extrusion industry. Profile drawings are illustrative and rounded to the nearest 1/16".

Architectural System Assemblies

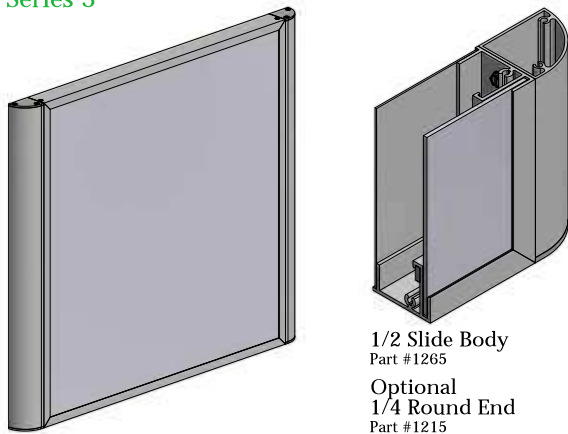
Series 3 Access Body Post & Panels

See pages 48, 50 & 63 for post options, reveal positions and additional information.

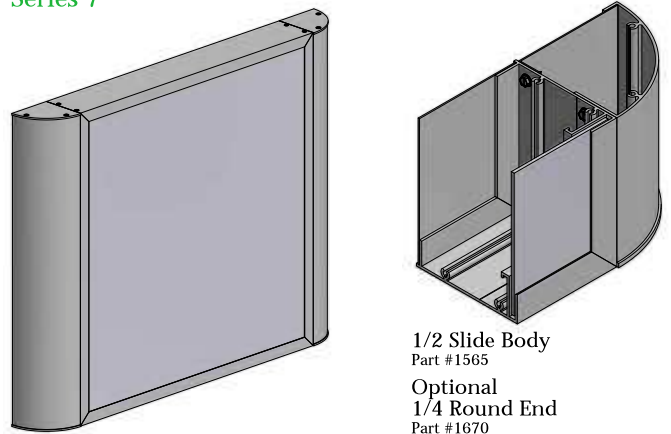


1/2 Slide Body Wall Mount Systems Series 3

See pages 48-49 & 63 for additional information.

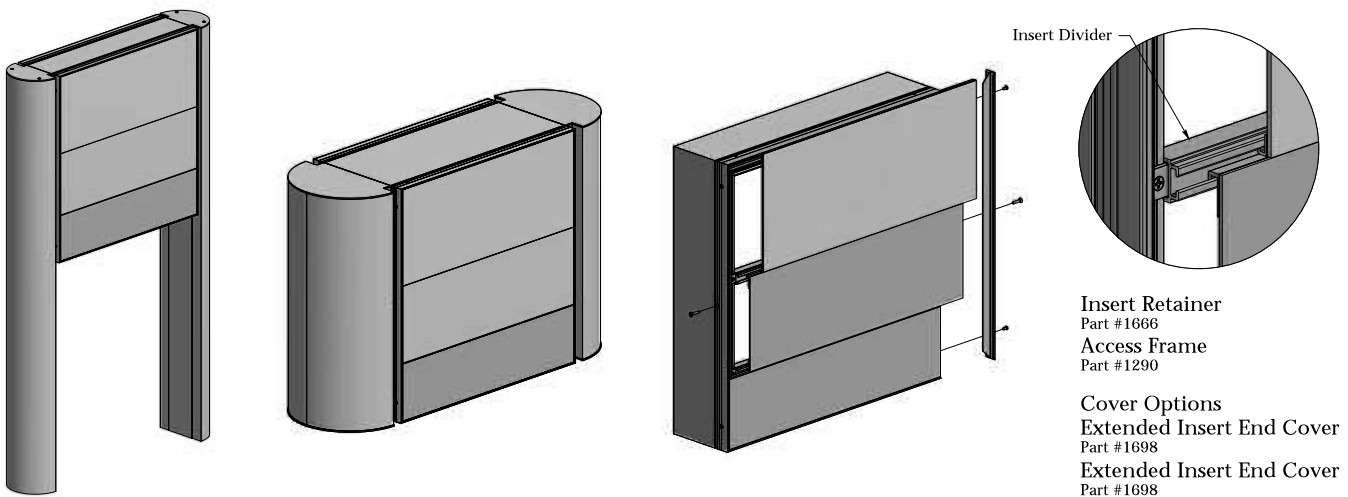


Series 7



Insert Panels

See pages 48, 53 & 64 for body and post options, reveal positions and additional information.





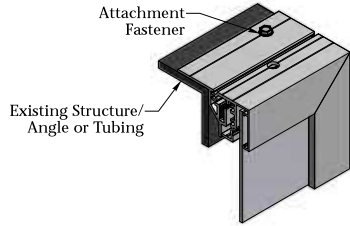
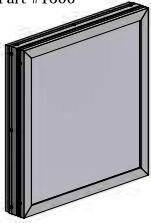
Note: All dimensions are subject to the tolerance standards of the aluminum extrusion industry. Profile drawings are illustrative and rounded to the nearest 1/16".

Architectural System Assemblies

Hingeable Body Systems

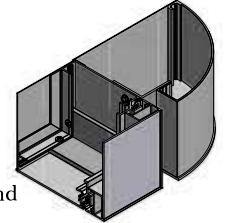
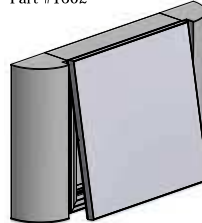
Series 7/12 Retro Body

Part #1600



Series 7 Single Face Body

Part #1602

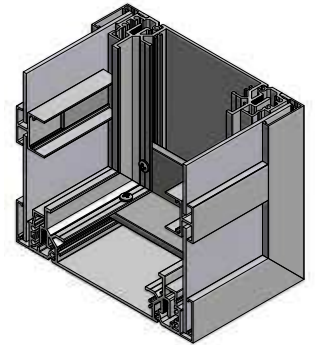
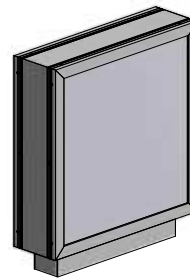
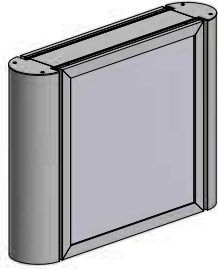
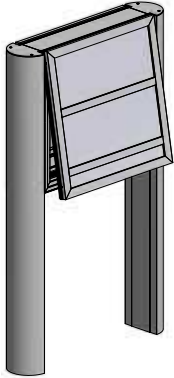


Optional
1/4 Round End
Part #1671

See pages 51-52 & 64-66 for additional information.

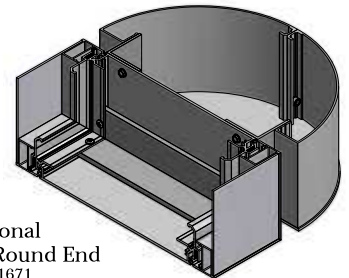
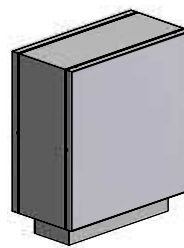
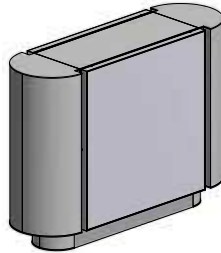
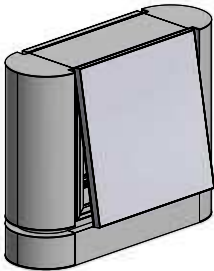
Series 7 Hinge Body

Part #1592



Series 12 Hinge Body

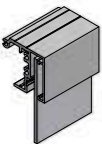
Part #1612



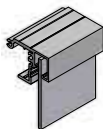
Optional
1/4 Round End
Part #1671

Hingeable Retainers

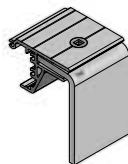
Slide Retainer
Part #1624



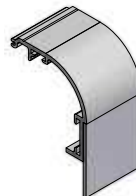
3/4" Slide Retainer
Part #1626



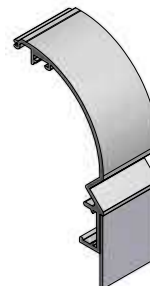
Frameless Rigid Retainer
Part #1628



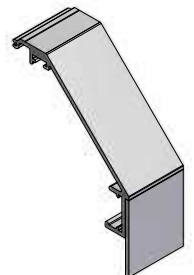
Extended 1/4 Round Retainer
Part #1650



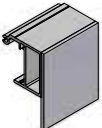
Extended 1/4 Round Retainer w/Reveal
Part #1655



Beveled Retainer
Part #1656



Frameless Retainer
Part #1631



Bleed Retainer
Part #1632



Insert Retainer
Part #1666



1/4 Round Retainer
Part #1640



Note: The Hingeable Retainers are designed to integrate with all of the Architectural Hinge Bodies.